

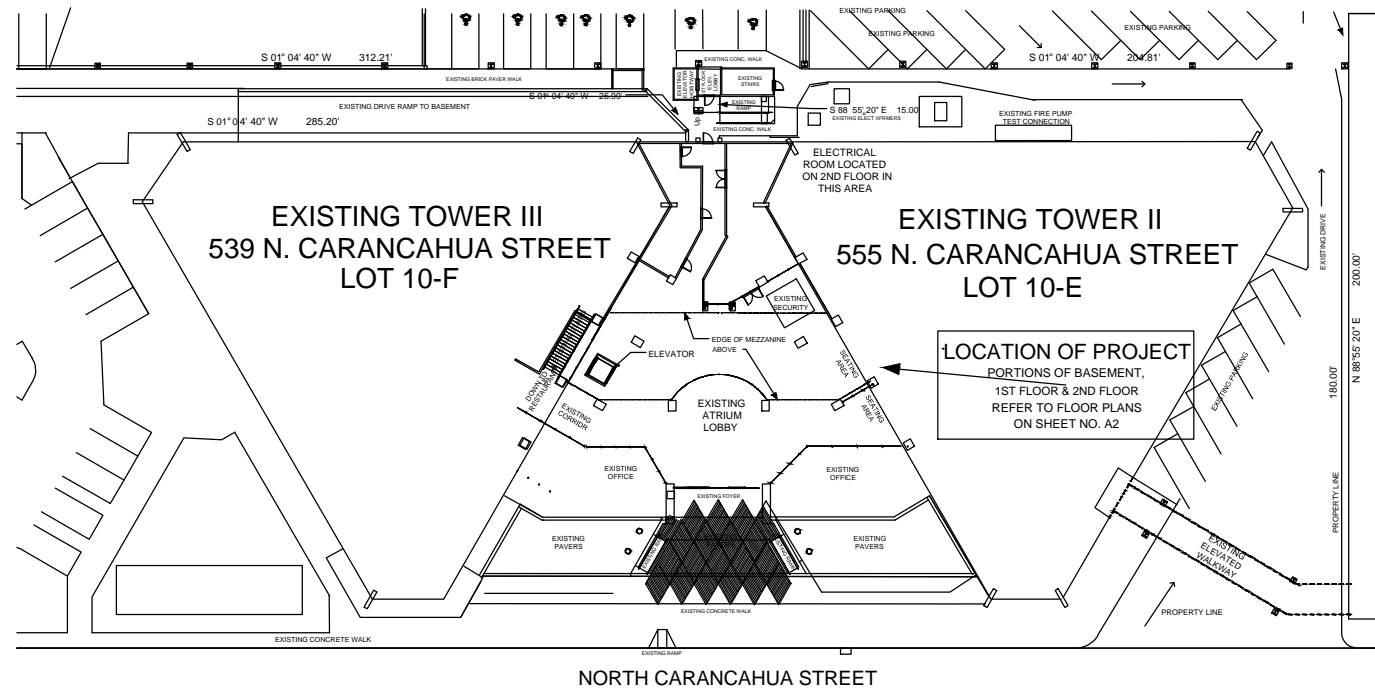
SITE PLAN

SCALE: NTS
 ARCH REF: 1/A1

1

TOWERS II & III

GLASS WALL SYSTEM(S):
 Kawneer Trifab 400 Interior Aluminum Storefront
 9/16" STAREPHIRE LOW-IRON ETCHED GLASS

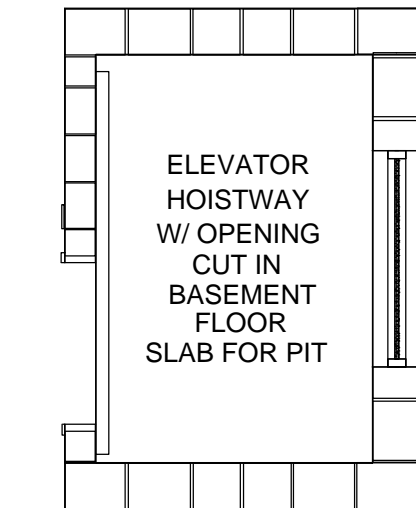


NO.	DATE	BY	DESCRIPTION
2	03/30/21	fp	Revisions to Original Drawings
1	02/11/21	fp	First Submittal
SUB			

EVINS GLASS SERVICE, INC.
 101 N.P.I.D., CORPUS CHRISTI, TX 78406
 WORK (361) 884-3995 FAX (361) 884-4262

PROJECT: CORPUS CHRISTI, TOWER II
RENOVATION OF HOISTWAY LOBBY
 ARCHITECT: EDJ ARCHITECTURE
 361-439-0864

PROJECT NO.	EGS-2102-01
DRAWN BY	fp
DATE	03/30/2021
SCALE	SEE DRAWINGS
DRAWING	SITE/FLOOR PLANS
SHEET	P1



FLOOR PLAN

SCALE: 1/4" = 1'-0"
 ARCH REF: E/A3
 QUANTITY: TYPE A - 01

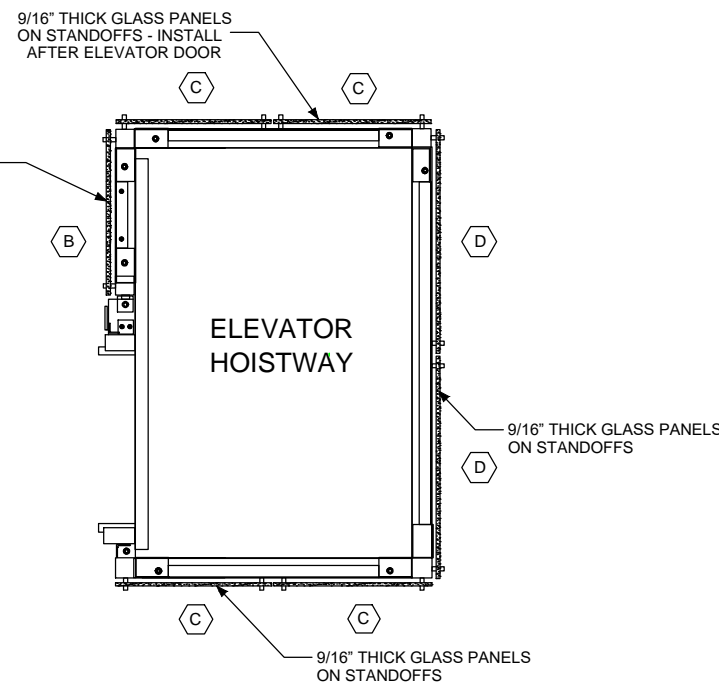
2

BASEMENT

GLASS WALL SYSTEM(S):
 Kawneer Trifab 400 Interior Aluminum Storefront

A

9/16" THICK GLASS PANEL ON STANDOFFS - INSTALL AFTER ELEVATOR DOOR



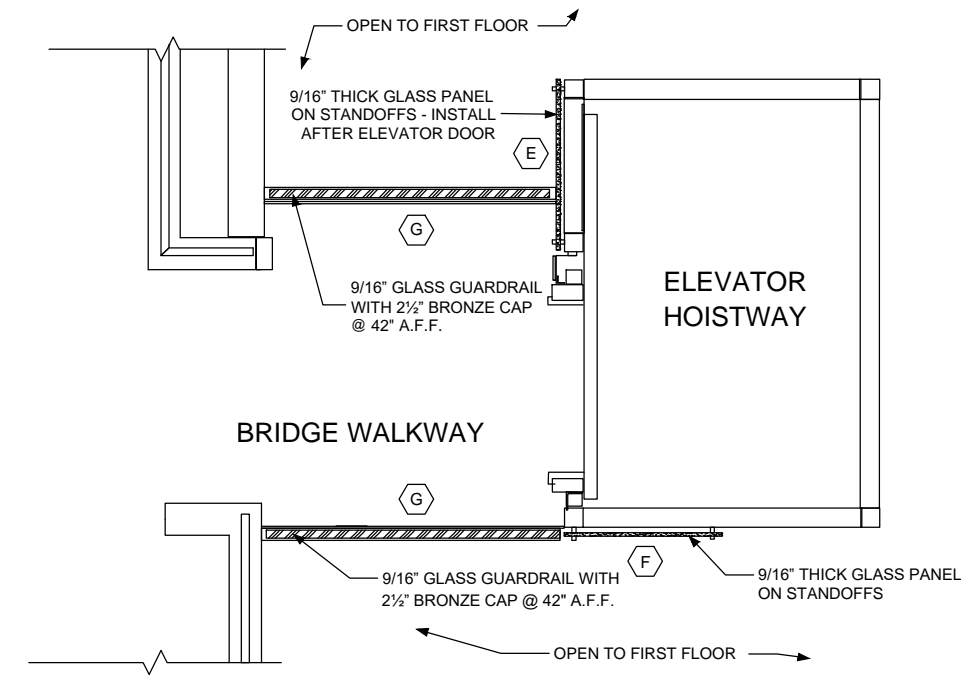
FLOOR PLAN

SCALE: 1/4" = 1'-0"
 ARCH REF: F/A3
 QUANTITY: TYPE B - 01,
 TYPE C - 04,
 TYPE D - 03

3

1st FLOOR

GLASS WALL SYSTEM(S):
 9/16" STAREPHIRE LOW-IRON ETCHED GLASS



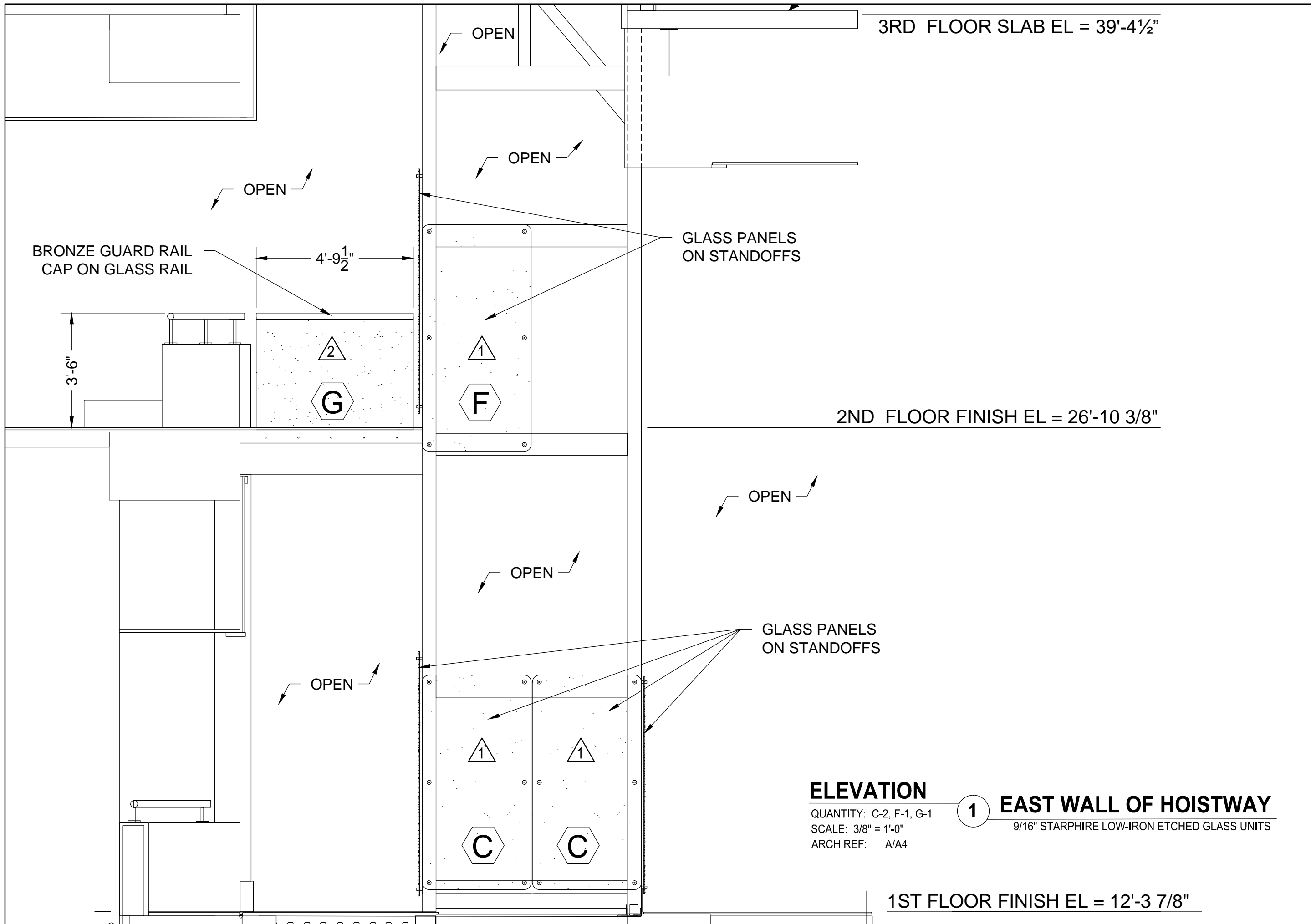
FLOOR PLAN

SCALE: 1/4" = 1'-0"
 ARCH REF: G/A3
 QUANTITY: TYPE E - 01,
 TYPE F - 01,
 TYPE G - 02

4

2nd FLOOR

GLASS WALL SYSTEM(S):
 9/16" STAREPHIRE LOW-IRON ETCHED GLASS



NO.	DATE	DESCRIPTION
2	03/30/21	Revisions to Original Drawings
1	02/11/21	First Submittal
1		

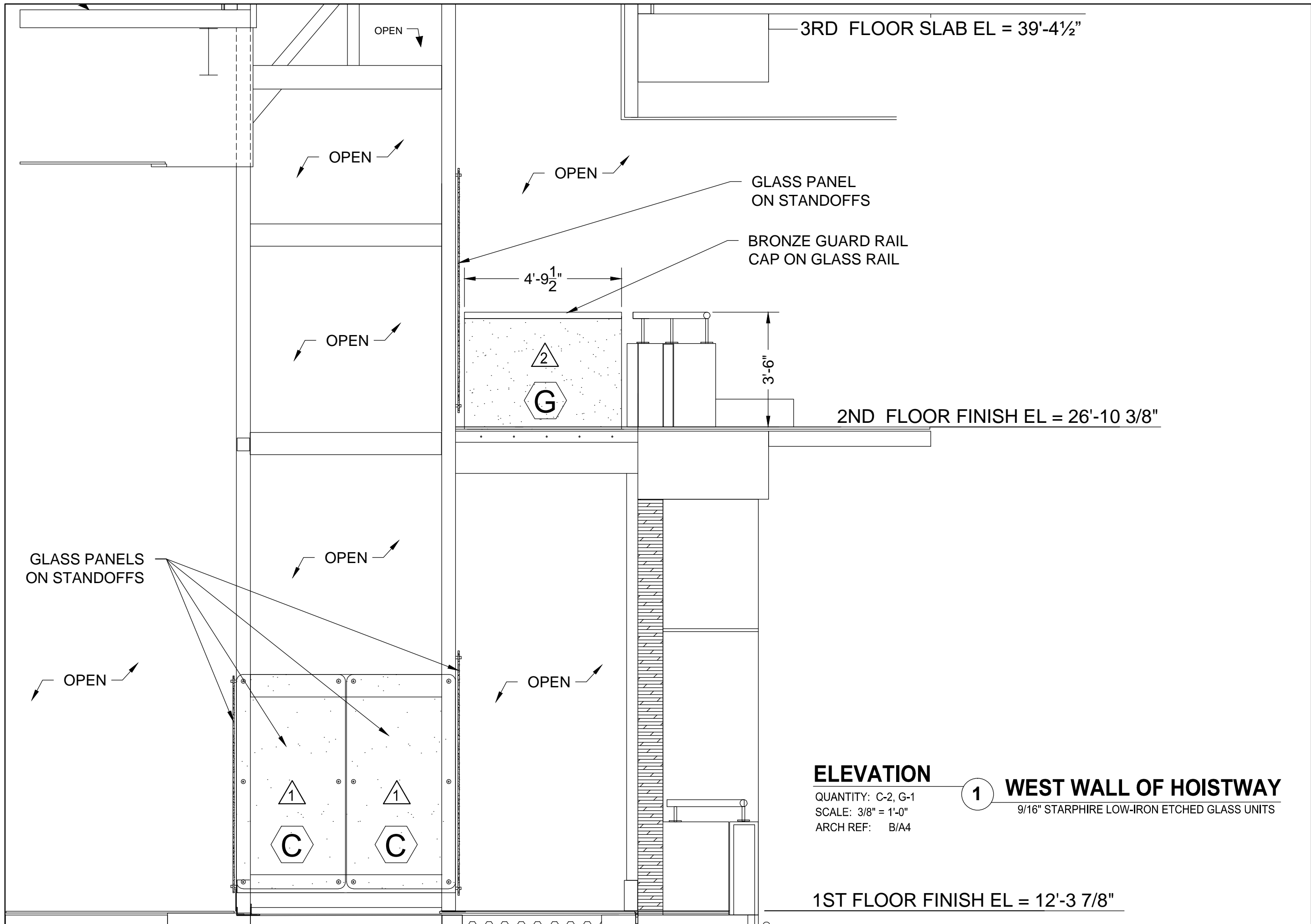
EVINS GLASS SERVICE, INC.
 101 N.P.I.D., CORPUS CHRISTI, TX 78406
 WORK (361) 884-3995 FAX (361) 884-4262

PROJECT
 CORPUS CHRISTI, TOWER II
RENOVATION OF HOIST WAY LOBBY
 ARCHITECT
 EDJ ARCHITECTURE
 361-436-0864

PROJECT NO.	EGS-2102-01
DRAWN BY	fp
DATE	03/30/2021
SCALE	3/8" = 1'-0"
DRAWING	ELEVATIONS
SHEET	E1

ELEVATION 1 EAST WALL OF HOISTWAY
 QUANTITY: C-2, F-1, G-1
 SCALE: 3/8" = 1'-0"
 ARCH REF: A/A4
 9/16" STARPHIRE LOW-IRON ETCHED GLASS UNITS

1ST FLOOR FINISH EL = 12'-3 7/8"



ELEVATION

QUANTITY: C-2, G-1
 SCALE: 3/8" = 1'-0"
 ARCH REF: B/A4

1

WEST WALL OF HOISTWAY

9/16" STARPHIRE LOW-IRON ETCHED GLASS UNITS

1ST FLOOR FINISH EL = 12'-3 7/8"

NO.	DATE	DESCRIPTION
2	03/30/21	Revisions to Original Drawings
1	02/11/21	First Submittal
SUB	BY	DATE

EVINS GLASS SERVICE, INC.
 101 N.P.I.D., CORPUS CHRISTI, TX 78406
 WORK (361) 884-3995 FAX (361) 884-4262

PROJECT: CORPUS CHRISTI, TOWER II
RENOVATION OF HOISTWAY LOBBY
 ARCHITECT: EDJ ARCHITECTURE
 361-436-0884

PROJECT NO.	EGS-2102-01
DRAWN BY	fp
DATE	03/30/2021
SCALE	3/8" = 1'-0"
DRAWING	ELEVATIONS
SHEET	E2

3RD FLOOR SLAB EL = 39'-4 1/2"

GLASS PANEL ON STANDOFFS

OPEN

OPEN

OPEN

BRONZE GUARD RAIL CAP ON GLASS RAIL

E

2

2ND FLOOR FINISH EL = 26'-10 3/8"

OPEN

OPEN

OPEN

GLASS PANELS ON STANDOFFS

2

B

OPEN

ELEVATION

QUANTITY: B-1, E-1
 SCALE: 3/8" = 1'-0"
 ARCH REF: C/A4

1

SOUTH WALL OF HOISTWAY

9/16" STARPHIRE LOW-IRON ETCHED GLASS UNITS

1ST FLOOR FINISH EL = 12'-3 7/8"

EVINS GLASS SERVICE, INC.
 101 N.P.I.D., CORPUS CHRISTI, TX 78406
 WORK (361) 884-3995 FAX (361) 884-4262

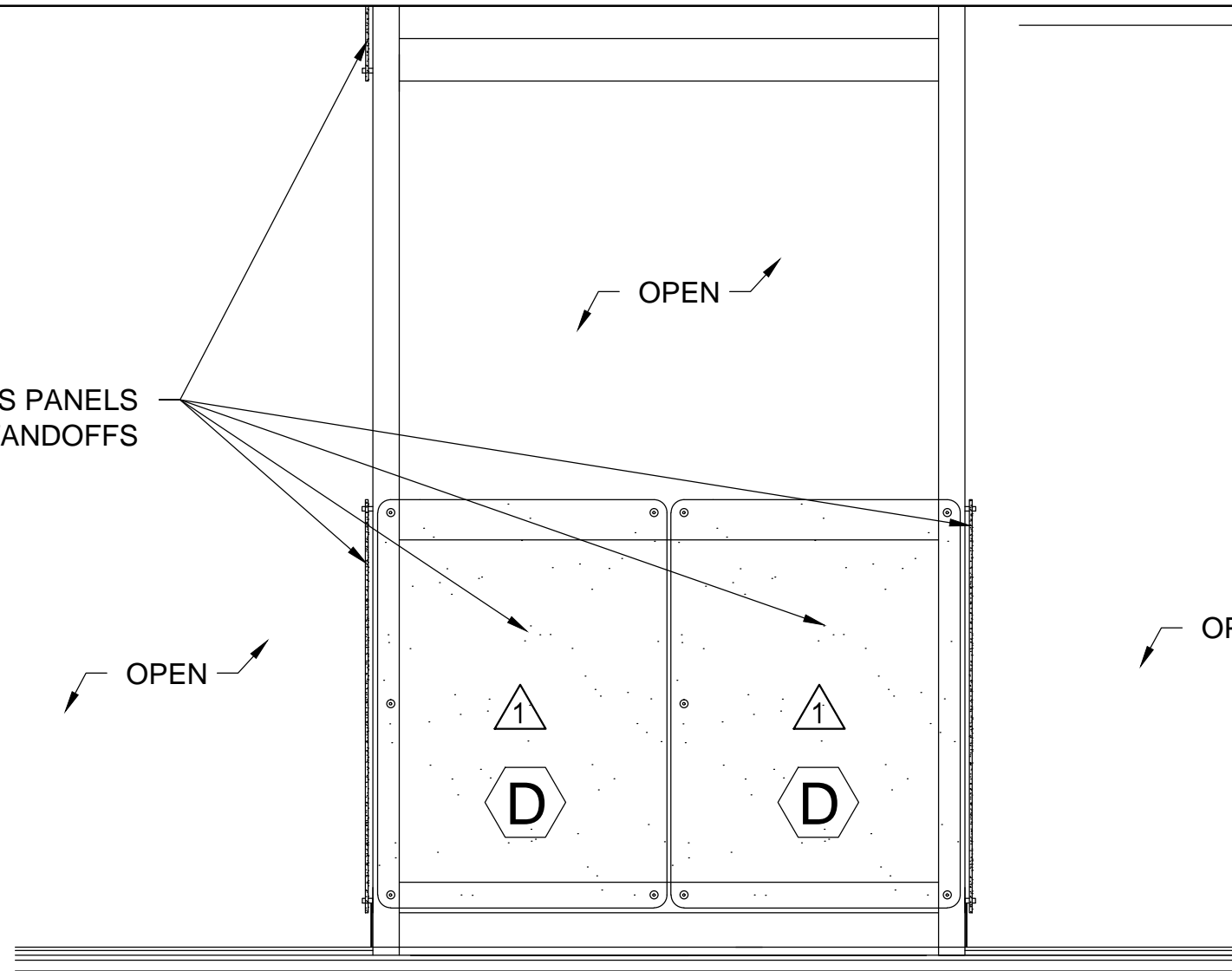
PROJECT: CORPUS CHRISTI, TOWER II
RENOVATION OF HOISTWAY LOBBY
 ARCHITECT: EDJ ARCHITECTURE
 361-436-0864

PROJECT NO.		EGS-2102-01
DRAWN BY	DATE	
fp	03/30/2021	
SCALE		3/8" = 1'-0"
DRAWING		ELEVATIONS
SHEET		E3

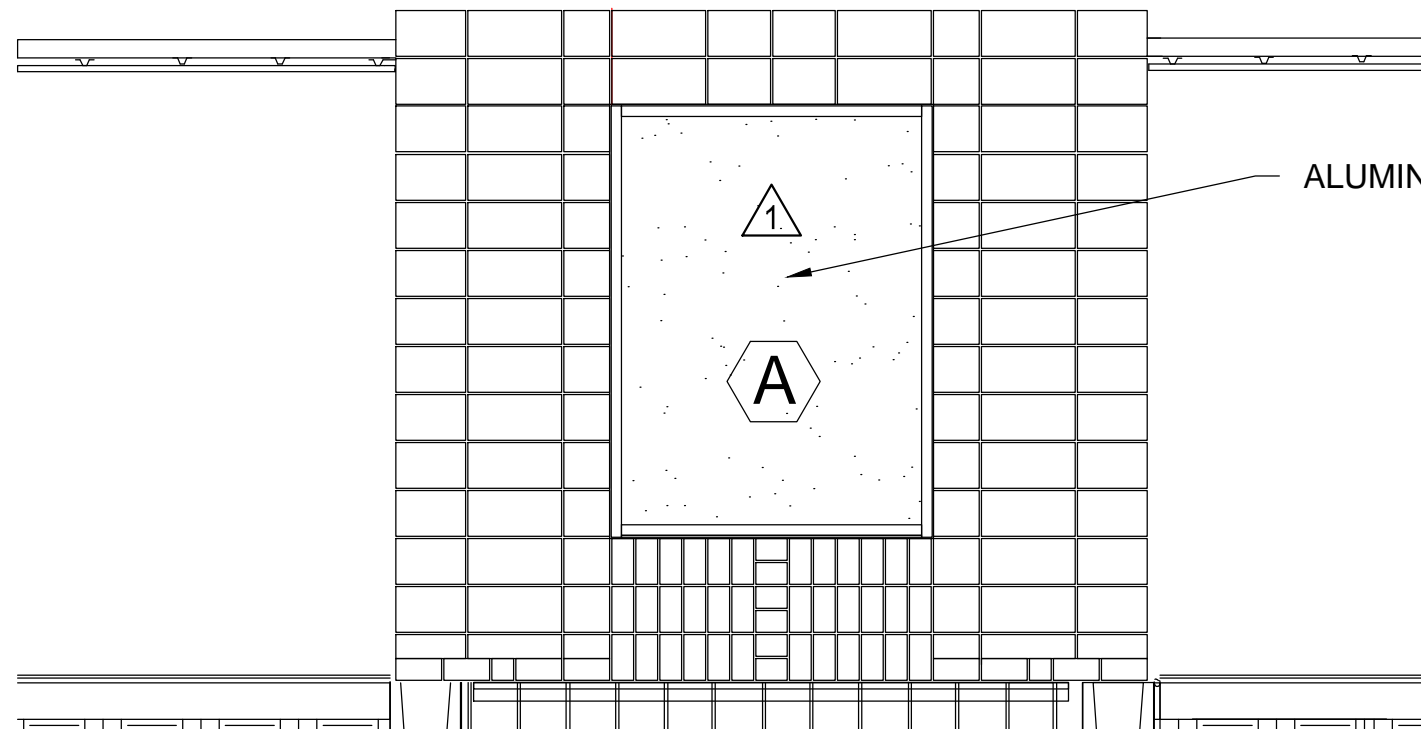
NO.	DATE	DESCRIPTION
2	03/30/21	Revisions to Original Drawings
1	02/11/21	First Submittal
SUB	BY	

2ND FLOOR FINISH EL = 26'-10 3/8"

GLASS PANELS ON STANDOFFS



1ST FLOOR FINISH EL = 12'-3 7/8"



ALUMINUM STOREFRONT WINDOW

ELEVATION

QUANTITY: A-1, D-3
 SCALE: 3/8" = 1'-0"
 ARCH REF: D/A4

1 NORTH WALL OF HOISTWAY
 9/16" STARPHIRE LOW-IRON ETCHED GLASS UNITS

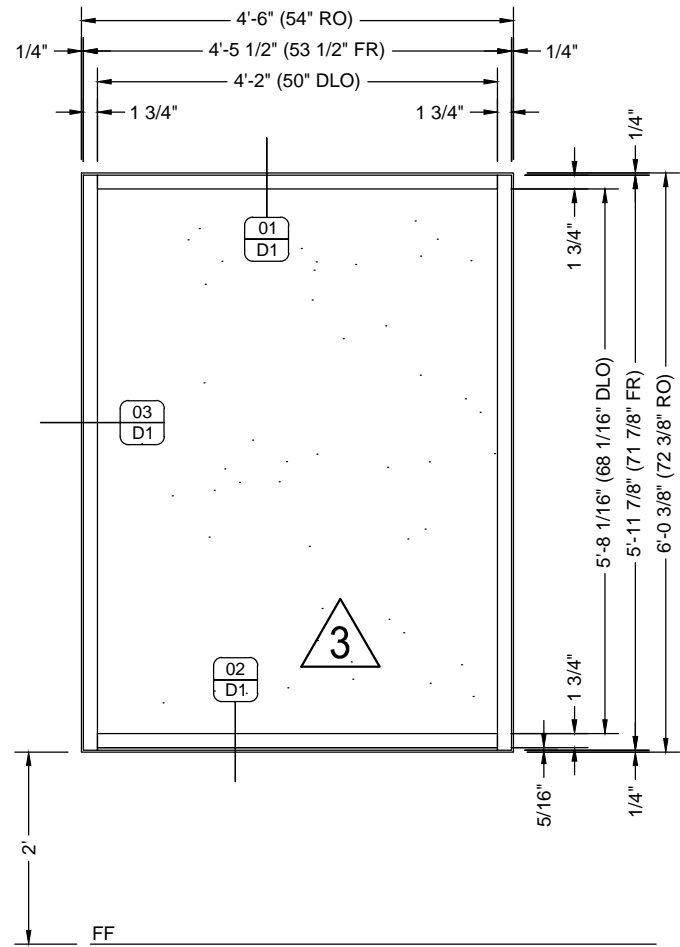
BASEMENT FINISH FLOOR EL = 0'-0"

EVINS GLASS SERVICE, INC.
 101 N.P. I.D., CORPUS CHRISTI, TX 78406
 WORK (361) 884-3995 FAX (361) 884-4262

PROJECT
 CORPUS CHRISTI, TOWER II
RENOVATION OF HOIST WAY LOBBY
 ARCHITECT
 EDJ ARCHITECTURE
 361-436-0864

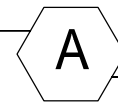
PROJECT NO.		EGS-2102-01
DRAWN BY	DATE	
fp	03/30/2021	
SCALE		3/8" = 1'-0"
DRAWING		ELEVATIONS
SHEET		E4

NO.	BY	DATE	DESCRIPTION
2	fp	03/30/21	Revisions to Original Drawings
1	fp	02/11/21	First Submittal



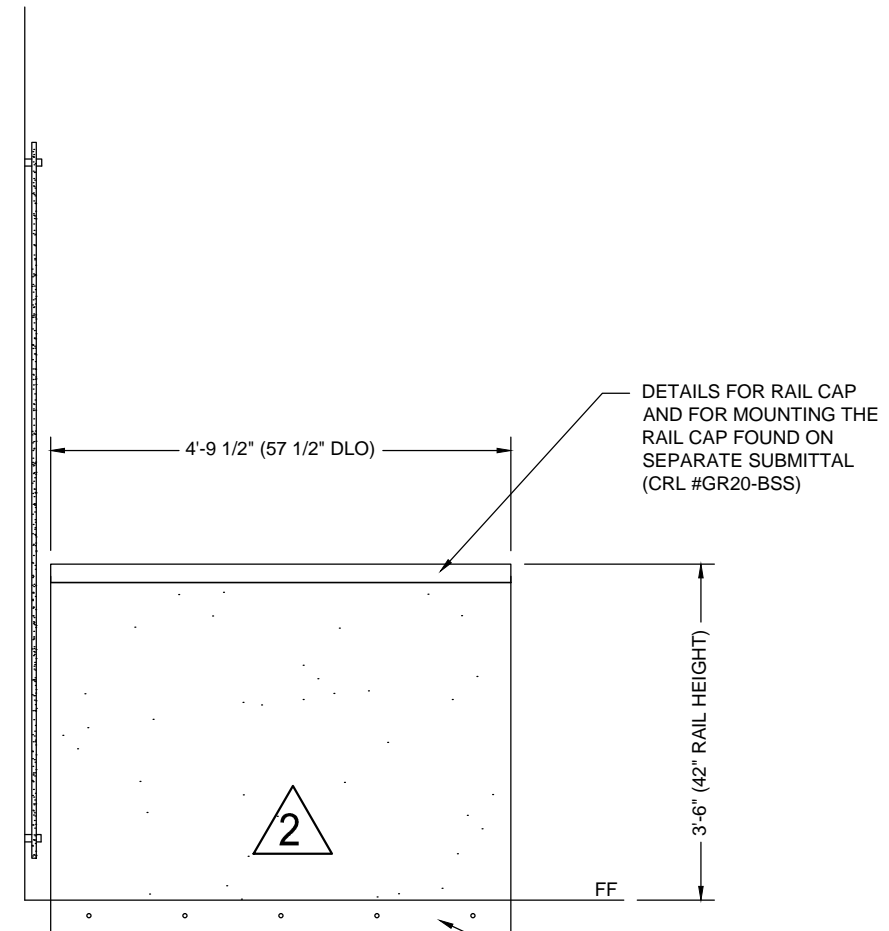
ELEVATION

QUANTITY: 01
 SCALE: 1/2" = 1'-0"
 ARCH REF: E/A3
 D/A4
 A/A5
 E/A6
 F/A6



ALUMINUM STOREFRONT

KAWNEER TRIFAB 400 INTERIOR ALUMINUM STOREFRONT



ELEVATION

QUANTITY: 02
 SCALE: 1/2" = 1'-0"
 ARCH REF: C/A3
 G/A3
 A/A4
 B/A4
 C/A4
 A/A5
 D/A5
 T/A6



TRANSLUCENT GLASS PANEL

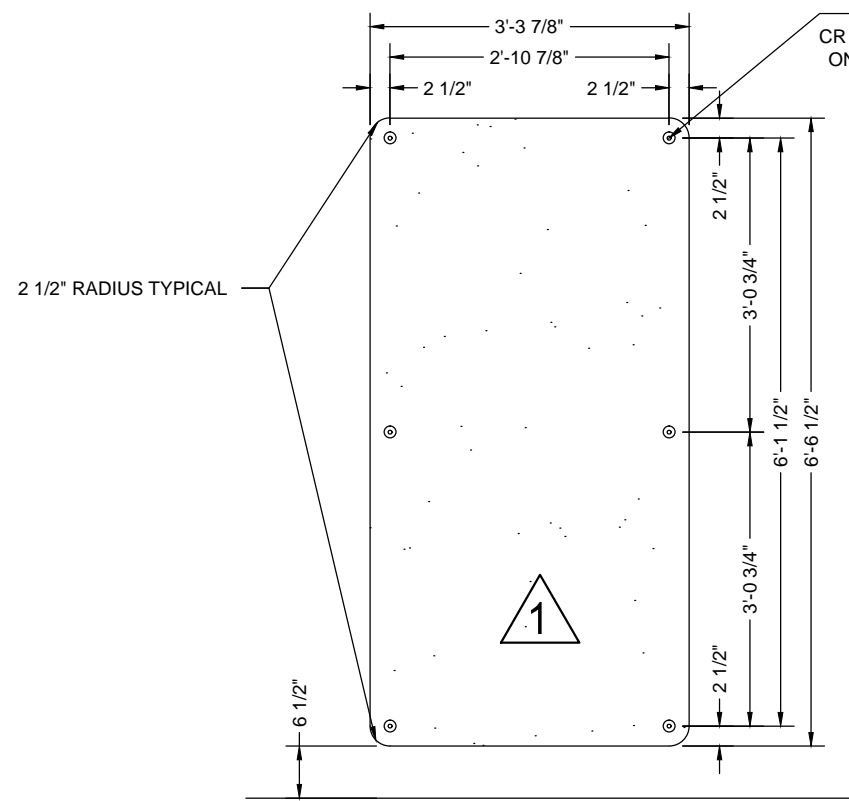
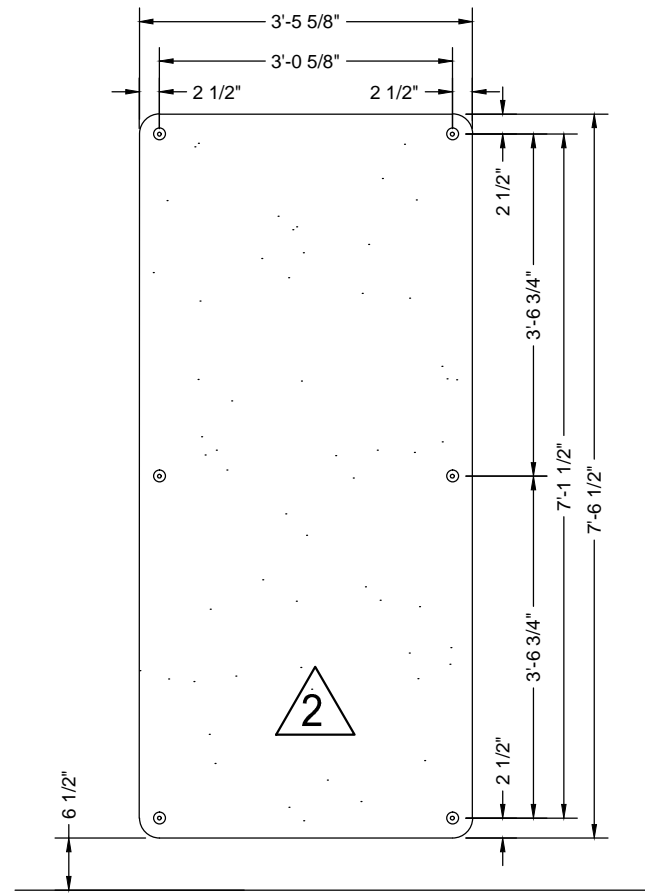
9/16" "SATEN" ETCHED GLASS
 CR LAURENCE BRONZE #GR20-BSS RAIL CAP
 CR LAURENCE #9BL56D RAIL MOUNTING SHOE

NO.	DATE	BY	DESCRIPTION
2	03/30/21	fp	Revisions to Original Drawings
1	02/11/21	fp	First Submittal

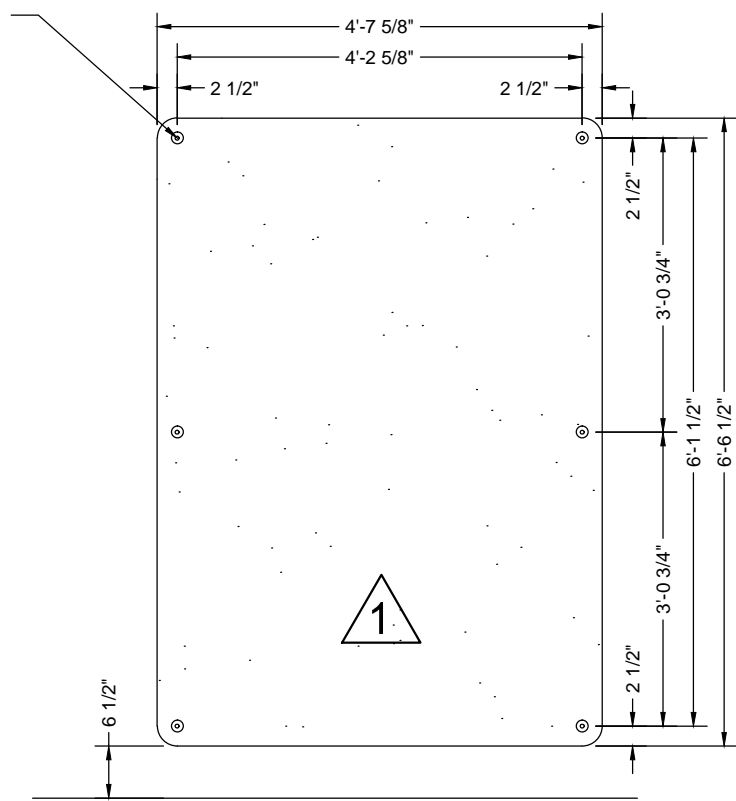
EVINS GLASS SERVICE, INC.
 101 N.P.I.D., CORPUS CHRISTI, TX 78406
 WORK (361) 884-3995 FAX (361) 884-4262

PROJECT
 CORPUS CHRISTI, TOWER II
RENOVATION OF HOIST WAY LOBBY
 ARCHITECT
 EDI ARCHITECTURE
 361-436-0864

PROJECT NO.	EGS-2102-01
DRAWN BY	fp
DATE	03/30/2021
SCALE	1/2" = 1'-0"
DRAWING	ELEVATIONS
SHEET	E5

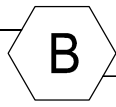


DETAILS FOR CR LAURENCE STANDOFFS ON SEPARATE SUBMITTAL (CRL#SOB11212-BS) (CRL#CAP112-BS) (CRL#AS38134)



ELEVATION

QUANTITY: 01
 SCALE: 1/2" = 1'-0"
 ARCH REF: B/A3
 F/A3
 C/A4
 B/A5
 C/A6
 D/A6
 EL B/A7



TRANSLUCENT GLASS PANEL

9/16" FULL SURFACE "SATEN" ACID-ETCHED PANEL
 CR LAURENCE #SOB11212-BS STANDOFFS WITH CR LAURENCE # CAP112-BS
 LOW-PROFILE STANDOFF CAPS AND CR LAURENCE #AS38134 THREADED HANGERS

ELEVATION

QUANTITY: 02
 SCALE: 1/2" = 1'-0"
 ARCH REF: B/A3
 F/A3
 A/A4
 C/A6
 D/A6
 EL D/A7

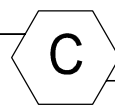


CLEAR GLASS PANEL

9/16" STARPHIRE LOW-IRON CLEAR GLASS
 CR LAURENCE #SOB11212-BS STANDOFFS WITH
 CR LAURENCE # CAP112-BS LOW-PROFILE
 STANDOFF CAPS AND CR LAURENCE #AS38134
 THREADED HANGERS

ELEVATION

QUANTITY: 04
 SCALE: 1/2" = 1'-0"
 ARCH REF: B/A3
 F/A3
 A/A4
 B/A4
 A/A5
 C/A6
 D/A6
 EL C/A7



CLEAR GLASS PANEL

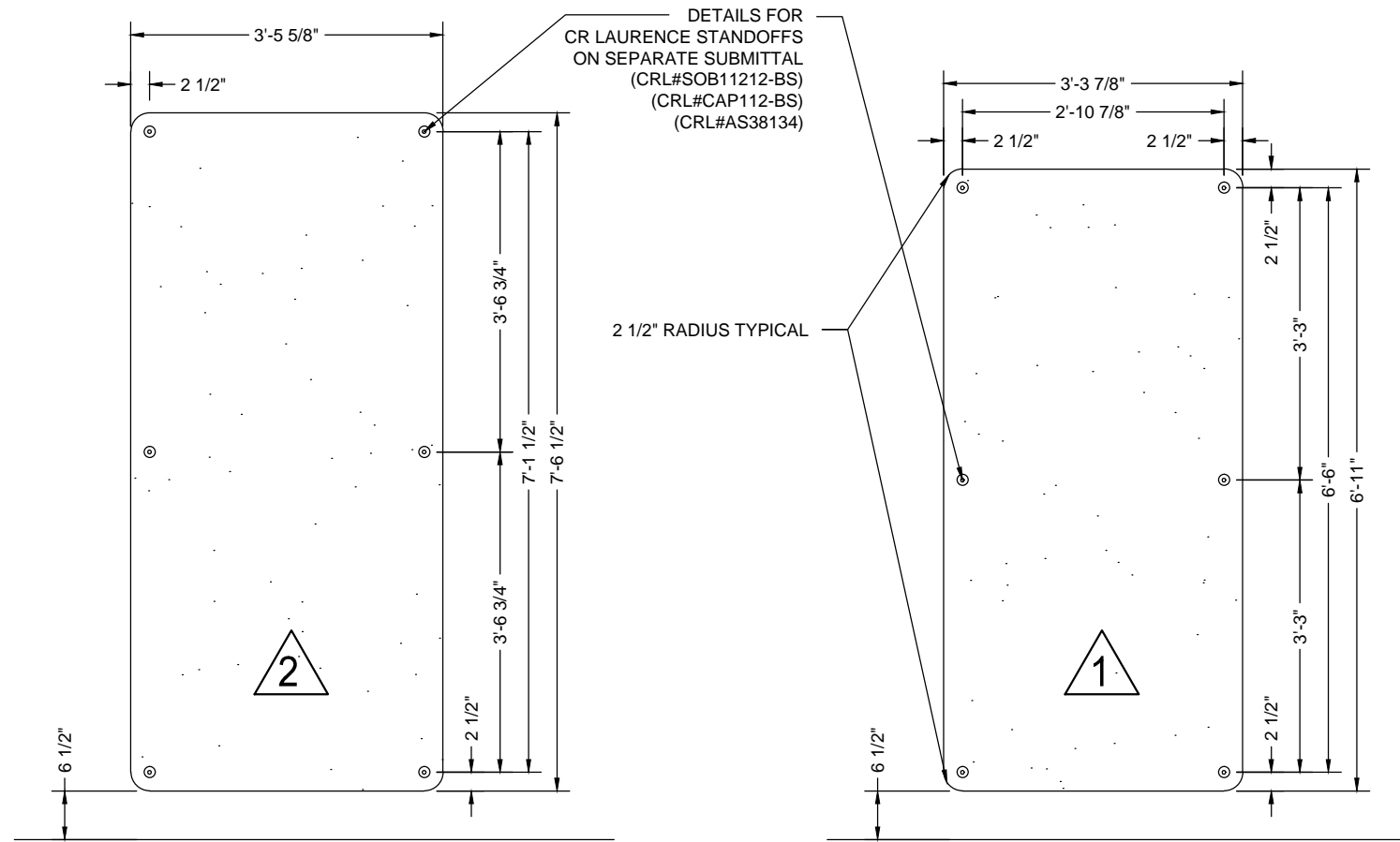
9/16" STARPHIRE LOW-IRON CLEAR GLASS
 CR LAURENCE #SOB11212-BS STANDOFFS WITH
 CR LAURENCE # CAP112-BS LOW-PROFILE
 STANDOFF CAPS AND CR LAURENCE #AS38134
 THREADED HANGERS

NO.	DATE	DESCRIPTION
1	02/11/21	Revisions to Original Drawings
2	03/30/21	First Submittal

EVINS GLASS SERVICE, INC.
 101 N.P.I.D., CORPUS CHRISTI, TX 78406
 WORK (361) 884-3995 FAX (361) 884-4262

PROJECT: CORPUS CHRISTI, TOWER II
RENOVATION OF HOIST WAY LOBBY
 ARCHITECT: EDI ARCHITECTURE
 361-436-0864

PROJECT NO.	EGS-2102-01
DRAWN BY	fp
DATE	03/30/2021
SCALE	1/2" = 1'-0"
DRAWING	ELEVATIONS
SHEET	E6



ELEVATION

QUANTITY: 01
SCALE: 1/2" = 1'-0"
ARCH REF: C/A3
G/A3
C/A4
B/A5
C/A6
D/A6
EL E/A7



TRANSLUSCENT GLASS PANEL

9/16" FULL SURFACE "SATEN" ACID-ETCHED PANEL
CR LAURENCE #SOB11212-BS STANDOFFS WITH CR LAURENCE # CAP112-BS
LOW-PROFILE STANDOFF CAPS AND CR LAURENCE #AS38134 THREADED
HANGERS

ELEVATION

QUANTITY: 01
SCALE: 1/2" = 1'-0"
ARCH REF: D/A3
G/A3
A/A4
C/A6
D/A6
EL F/A7



CLEAR GLASS PANEL

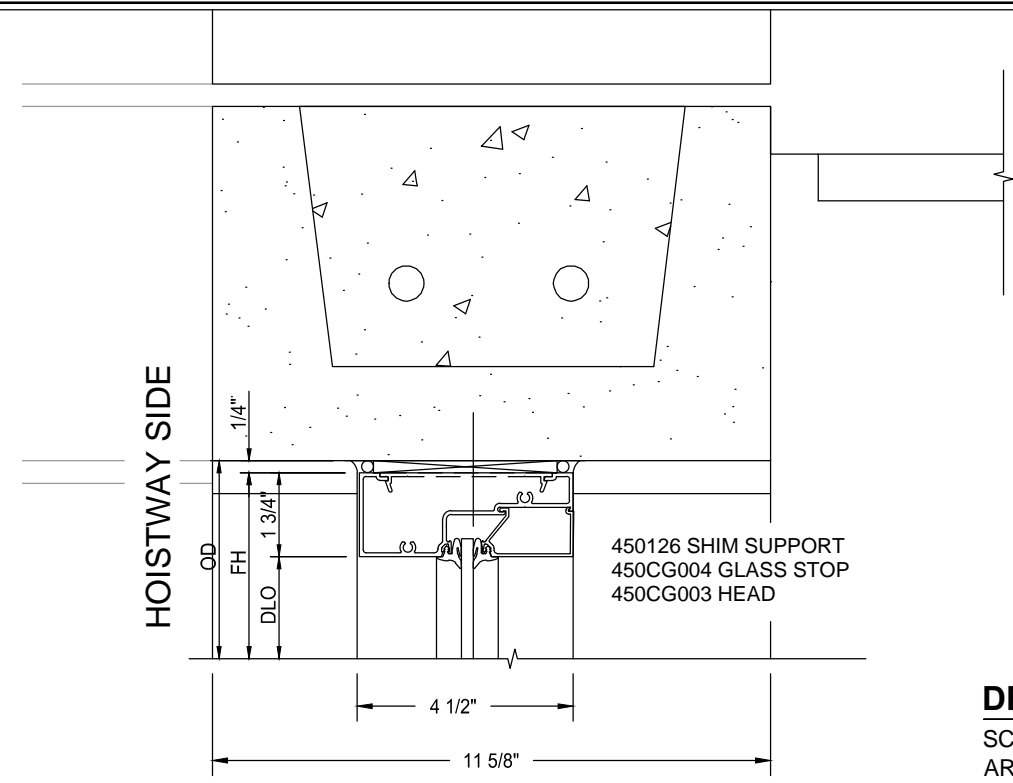
9/16" STARPHIRE LOW-IRON CLEAR GLASS
CR LAURENCE #SOB11212-BS STANDOFFS WITH
CR LAURENCE # CAP112-BS LOW-PROFILE
STANDOFF CAPS AND CR LAURENCE #AS38134
THREADED HANGERS

NO.	DATE	DESCRIPTION
2	03/30/21	Revisions to Original Drawings
1	02/11/21	First Submittal
SUB	BY	DATE
1	fp	

EVINS GLASS SERVICE, INC.
101 N.P.I.D., CORPUS CHRISTI, TX 78406
WORK (361) 884-3995 FAX (361) 884-4262

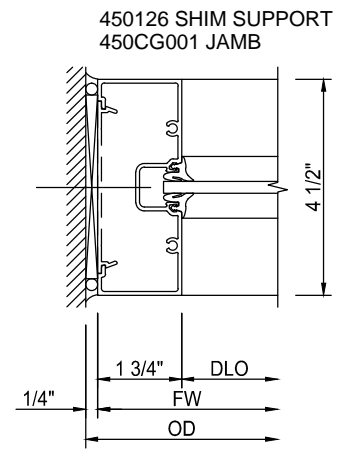
PROJECT
CORPUS CHRISTI, TOWER II
RENOVATION OF HOIST WAY LOBBY
ARCHITECT
EDJ ARCHITECTURE
361-439-0864

PROJECT NO. EGS-2102-01	
DRAWN BY fp	DATE 03/30/2021
SCALE 1/2" = 1'-0"	
DRAWING ELEVATIONS	
SHEET E7	



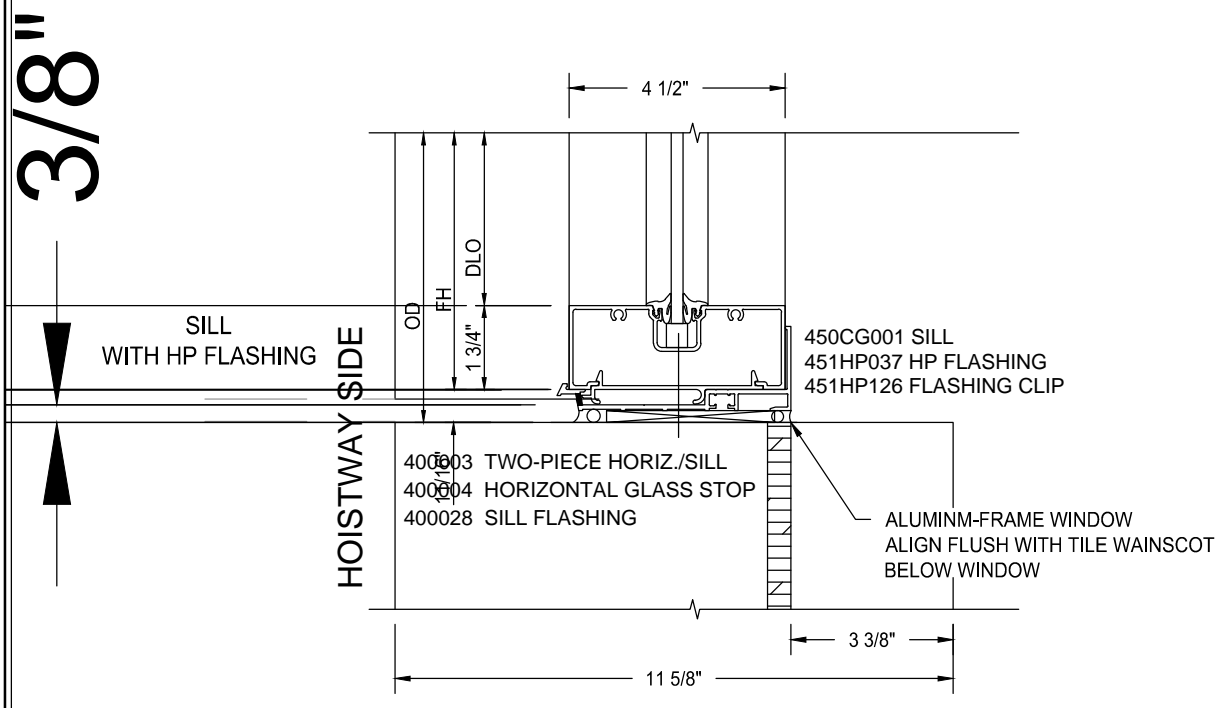
DETAIL
 SCALE: 3" = 1'-0"
 ARCH REF: E/A6

01 WINDOW HEAD
 GLASS WALL SYSTEM TYPE:
 KAWNEER TRIFAB VG-450 INTERIOR ALUMINUM STOREFRONT



DETAIL
 SCALE: 3" = 1'-0"
 ARCH REF: N/A

03 WINDOW JAMB
 GLASS WALL SYSTEM TYPE:
 KAWNEER TRIFAB VG-450 INTERIOR ALUMINUM STOREFRONT



DETAIL
 SCALE: 3" = 1'-0"
 ARCH REF: F/A6

02 WINDOW SILL
 GLASS WALL SYSTEM TYPE:
 KAWNEER TRIFAB VG-450 INTERIOR ALUMINUM STOREFRONT

NO.	DATE	DESCRIPTION
2	03/30/21	Revisions to Original Drawings
1	02/11/21	First Submittal

EVINS GLASS SERVICE, INC.
 101 N.P.I.D., CORPUS CHRISTI, TX 78406
 WORK (361) 884-3995 FAX (361) 884-4262

PROJECT
 CORPUS CHRISTI, TOWER II
RENOVATION OF HOISTWAY LOBBY
 ARCHITECT
 EDI ARCHITECTURE
 361-436-0864

PROJECT NO.	EGS-2102-01
DRAWN BY	fp
DATE	03/30/2021
SCALE	3" = 1'-0"
DRAWING	DETAILS
SHEET	D1